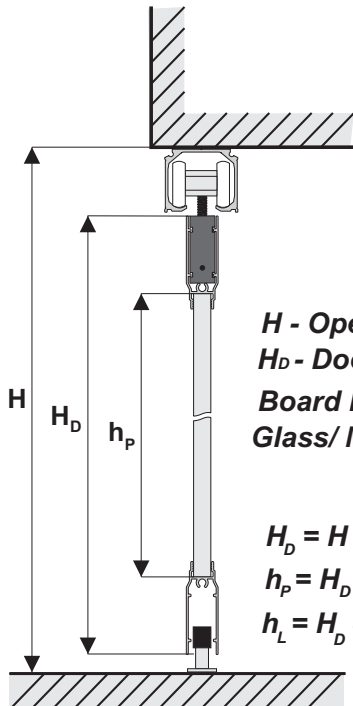


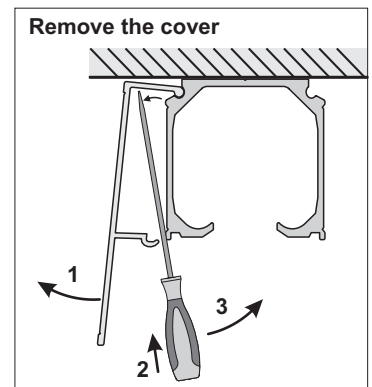
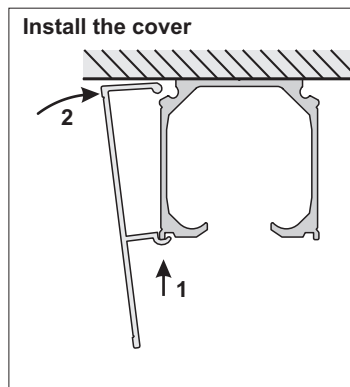
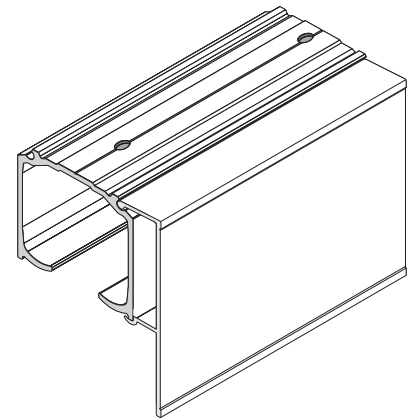
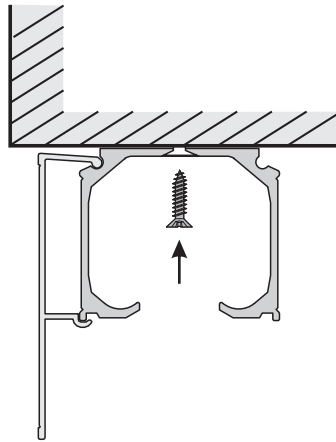


1. Suspended Track Ceiling

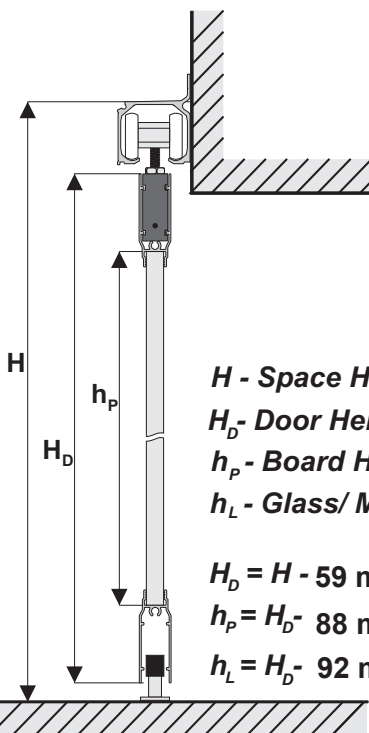


H - Opening Height
H_D - Door Height/ Handle Height
Board Height - h_p
Glass/ Mirror Height - h_L

$H_D = H - 59 \text{ mm}$
 $h_p = H_D - 88 \text{ mm}$
 $h_L = H_D - 92 \text{ mm}$



2. Suspended Track Wall- Barn Dor



H - Space Height
H_D - Door Height/ Handle Height
h_p - Board Height
h_L - Glass/ Mirror Height

$H_D = H - 59 \text{ mm}$
 $h_p = H_D - 88 \text{ mm}$
 $h_L = H_D - 92 \text{ mm}$

