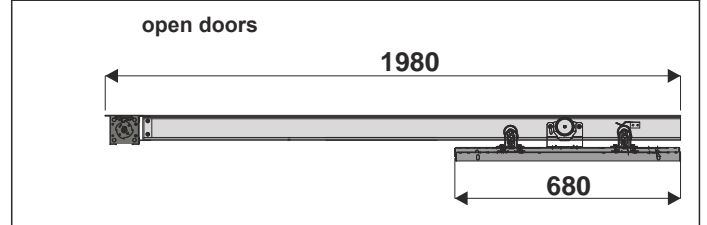
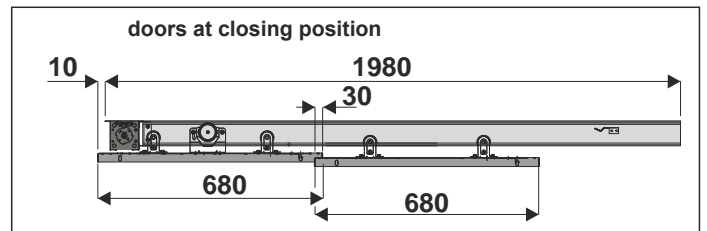
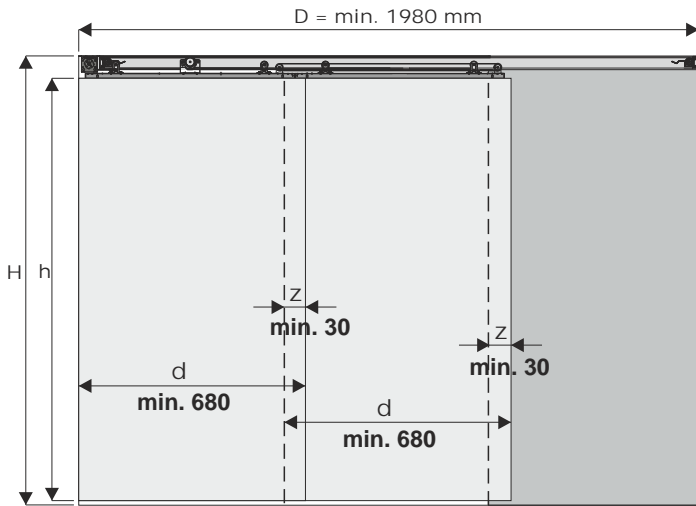
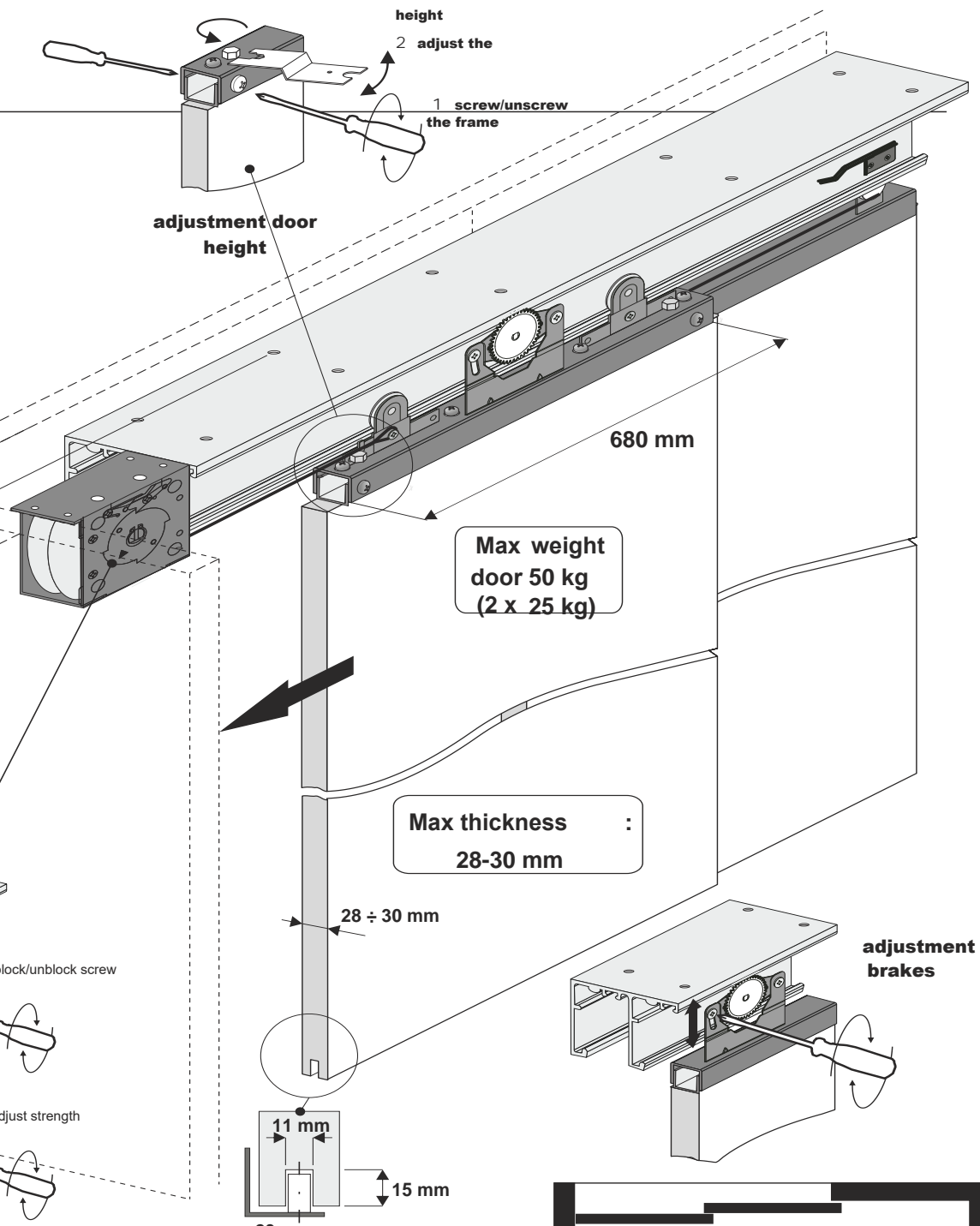
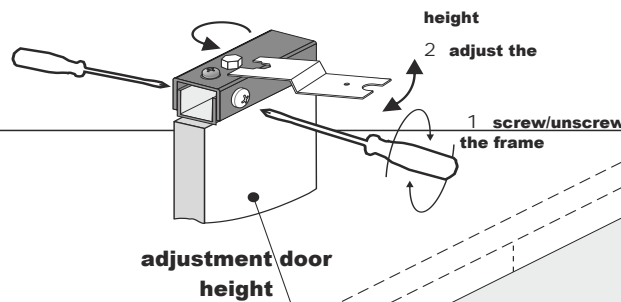
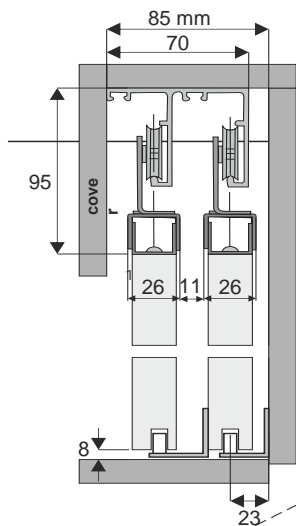
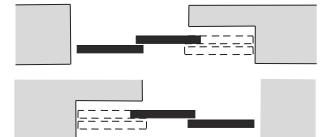


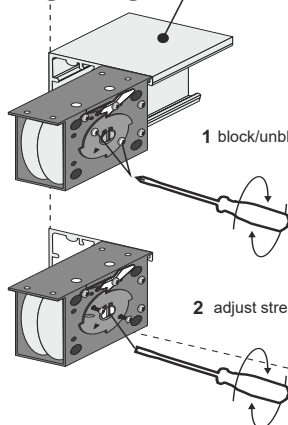
TWIN DOORS



door leaf height
 $h = H - 103 \text{ mm}$



adjustment pulling strength



adjustment brakes

