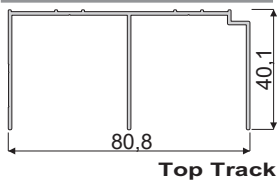
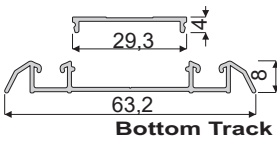


**Handle
NEWLAND**

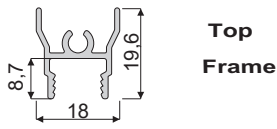


Top Track

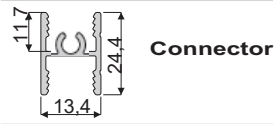
Bottom Track Cover



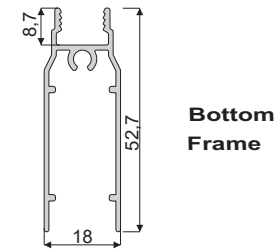
Bottom Track



**Top
Frame**



Connector



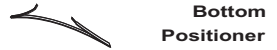
**Bottom
Frame**



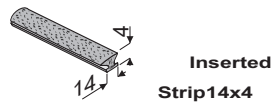
Top Roller Sided



Bottom Roller



**Bottom
Positioner**

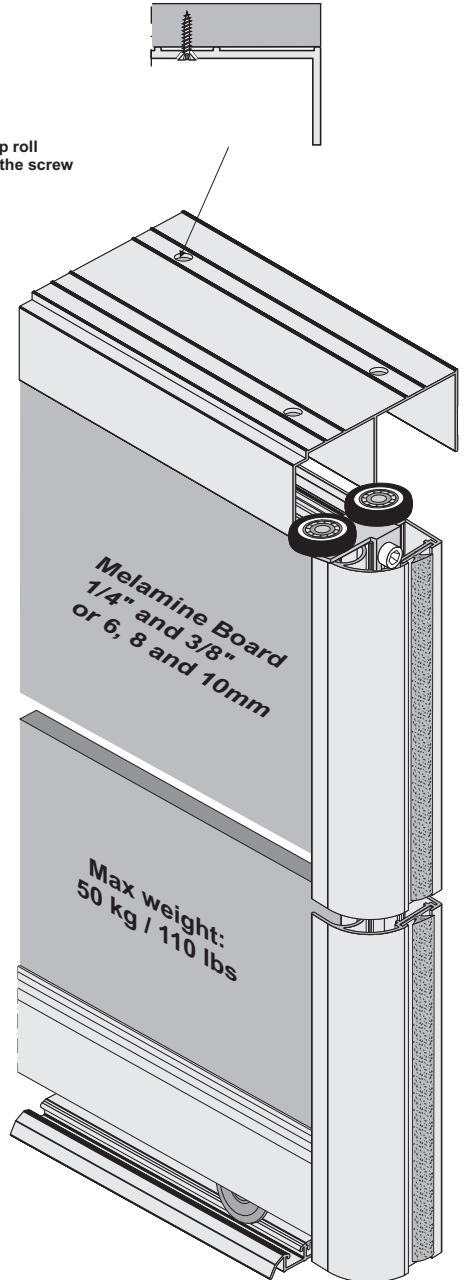
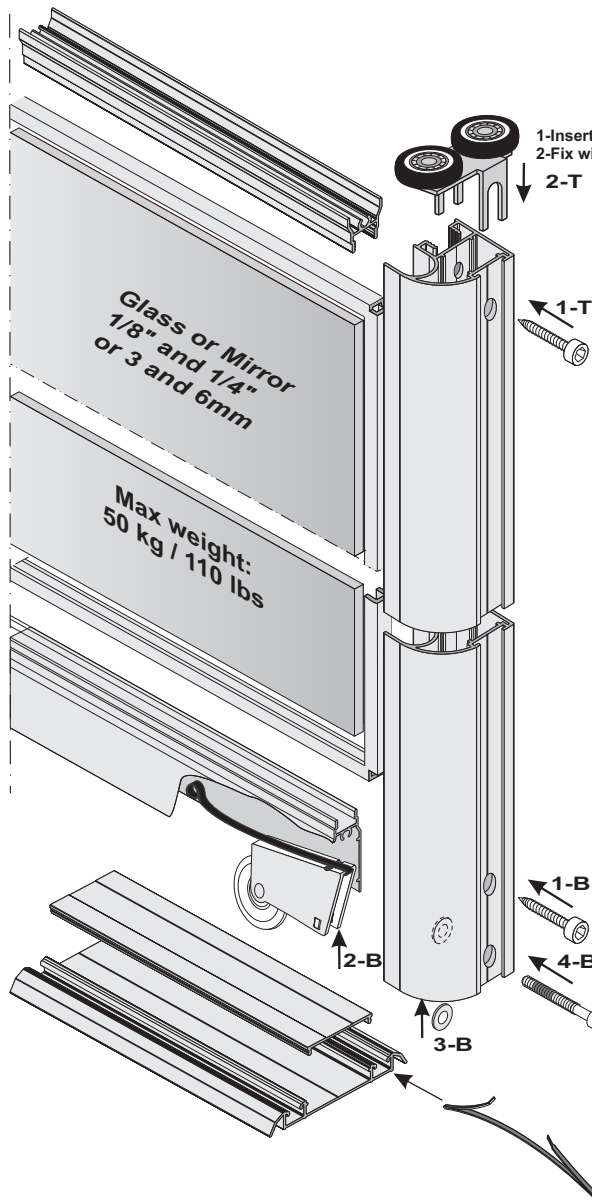
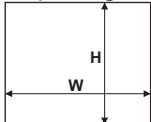


**Inserted
Strip 14x4**



Gasket 1/8\", 1/4\"

Opening



MEASUREMENTS

$H_D = H - 36\text{mm}$	H_D - Door Height/Handle Height
H - Opening Height	
$H_B = H_D - 56\text{mm}$	H_B - Board Height
$H_L = H_D - 60\text{mm}$	H_L - Glass/Mirror Height
$W_D = (W + Z \cdot 27) / N$	W_D - Door Width
	W - Opening Width
	N - Number of Doors
	Z - Number Overlaps
	27 - Thickness Handle
$W_B = W_D - 36\text{mm}$	W_B - Board Width
$W_L = W_D - 40\text{mm}$	W_L - Glass/Mirror Width
$L = W_D - 53\text{mm}$	L - Length Connectors/Frames

Sample Opening

4 = Number of Doors

3 = Number of Overlaps

2 = Number of Overlaps

$$W_D = (W + 3 \cdot 27) : 4$$

$$W_D = (W + 2 \cdot 27) : 4$$

